

# PRODUCT INFORMATION PACKET

Model No: 5KC49HN0719

Catalog No: C1803

0.33 HP Explosion Proof Motor, 1 phase, 1500 RPM, 115/208-230 V, 56 Frame, EPFC  
Explosion Proof NEMA Motors



Regal and Marathon are trademarks of Regal Beloit Corporation or one of its affiliated companies.  
©2020 Regal Beloit Corporation, All Rights Reserved. MC017097E

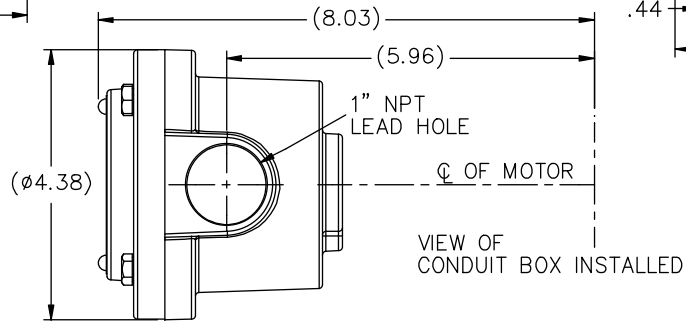
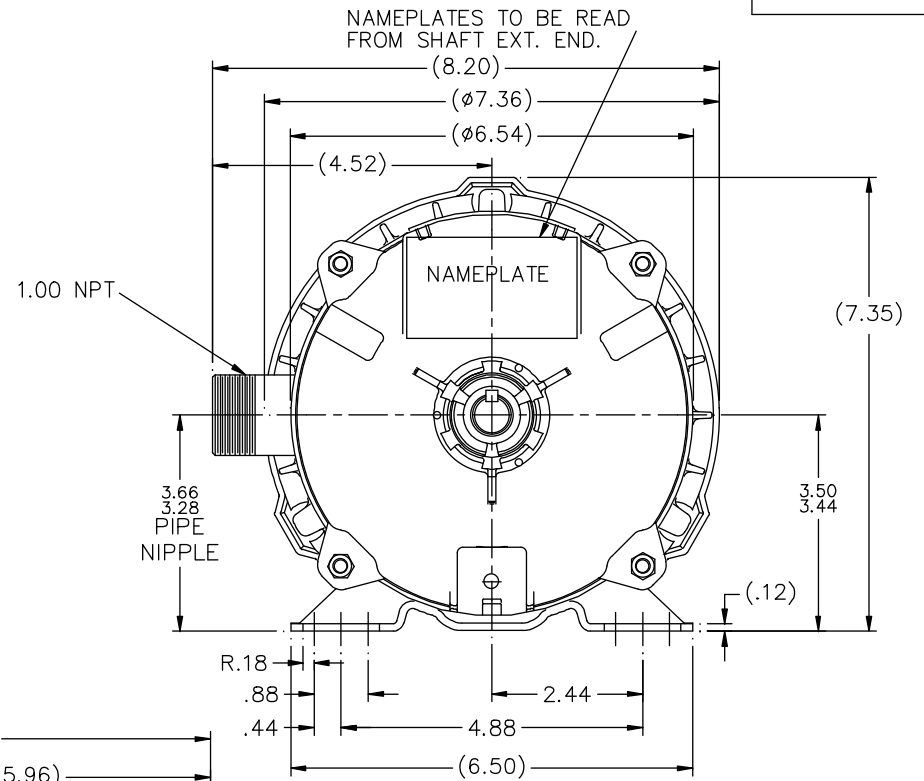
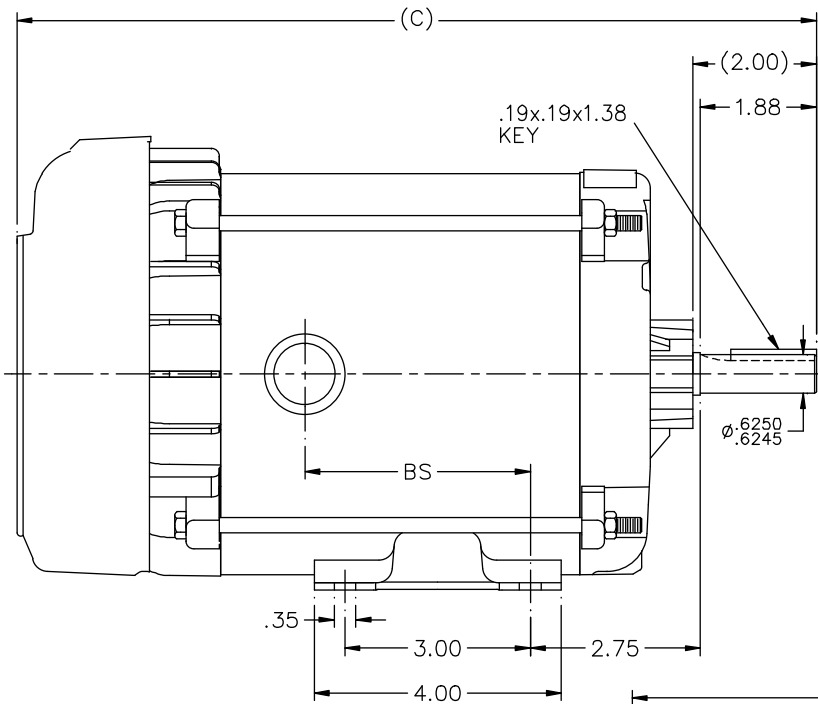
REGAL

### Nameplate Specifications


Output HP	<b>0.33 Hp</b>	Output KW	<b>0.25 kW</b>
Frequency	<b>50 Hz</b>	Voltage	<b>115/208-230 V</b>
Current	<b>5.1/2.7-2.6 A</b>	Speed	<b>1425 rpm</b>
Service Factor	<b>1</b>	Phase	<b>1</b>
Efficiency	<b>64 %</b>	Power Factor	<b>66.1</b>
Duty	<b>Continuous</b>	Insulation Class	<b>B</b>
Design Code	<b>NO DESIGN CODE</b>	KVA Code	<b>L</b>
Frame	<b>56</b>	Enclosure	<b>Explosion Proof Fan cooled</b>
Thermal Protection	<b>Automatic</b>	Ambient Temperature	<b>40 °C</b>
Drive End Bearing Size	<b>6203</b>	Opp Drive End Bearing Size	<b>6203</b>
UL	<b>UL Listed And CSA Certified</b>	CSA	<b>N</b>
CE	<b>N</b>	IP Code	<b>54</b>
Hazardous Location	<b>EXP PROOF CL I GR C&amp;D CL II GR F&amp;G T3B</b>		

### Technical Specifications

Electrical Type	<b>Capacitor Start Induction Run</b>	Starting Method	<b>Across The Line</b>
Poles	<b>4</b>	Rotation	<b>Selective Counterclockwise</b>
Resistance Main	<b>0 Ohms</b>	Mounting	<b>Rigid base</b>
Motor Orientation	<b>Horizontal</b>	Drive End Bearing	<b>Ball</b>
Opp Drive End Bearing	<b>Ball</b>	Frame Material	<b>Rolled Steel</b>
Shaft Type	<b>NEMA 56</b>	Overall Length	<b>13.44 in</b>
Frame Length	<b>6.31 in</b>	Shaft Diameter	<b>0.625 in</b>
Shaft Extension	<b>2 in</b>	Assembly/Box Mounting	<b>F1 ONLY</b>
Connection Drawing	<b>A-102005-84-GE</b>	Outline Drawing	<b>B-104189GE-631</b>

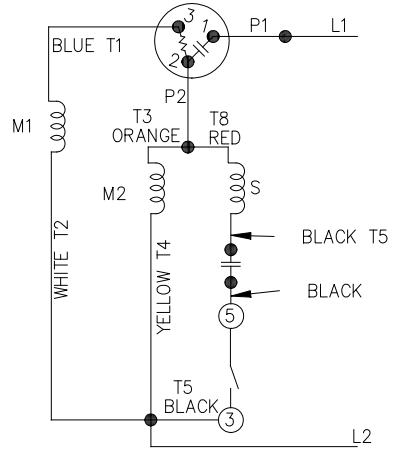


DASH	(C)	BS			
631	13.44	4.15			
681	13.94	4.65			
731	14.44	5.15			
781	14.94	5.65			
831	15.44	6.15			
881	15.94	6.65			
931	16.44	7.15			
981	16.94	7.65			

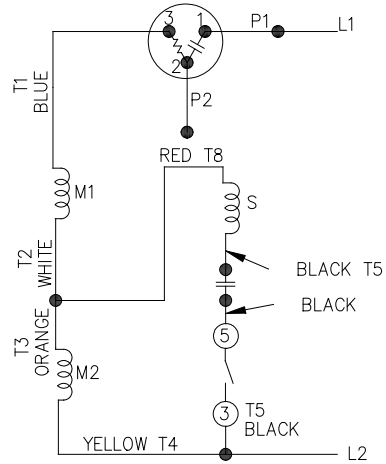
				TOLERANCES UNLESS SPECIFIED				DRAWING NO. 11-30-04			
				DEC.	INCHES			CHK	ML		
4	COND. BOX INSTALLED VIEW UPDATED PER ECR-0044571	UD	10/15/13	ST	.X	±.1	TITLE OUTLINE 56 FR. - EXP. PR. - TEFC - 1ø & 3ø MAT'L. FINISH	APPD	DRN	01-12-05	
3	REVISED C'BOX PER CN40784A	JJB	02/23/2007	ML	.XX	±.03		SCALE	1=2		
2	CHANGED LOGO TO REGAL BELOIT	TAT	09-07-2005	ML	.XXX	±.005		REF			
1	ADD GE TO PART NO	MJK	12/20/2004		.XXXX	±.0005		FMF			
NO.	REVISION	BY & DATE		CHK	ANG	±7'30"	FINISH	PREV			
THIS DRAWING IN DESIGN AND DETAIL IS OUR PROPERTY AND MUST NOT BE USED EXCEPT IN CONNECTION WITH OUR WORK ALL RIGHTS OF DESIGN AND INVENTION ARE RESERVED THIS IS AN ELECTRONICALLY GENERATED DOCUMENT - DO NOT SCALE THIS PRINT				RFP	CAD FILE 104189ge			SIZE	DRAWING NO.	PAGE OF	REV.
				DIST	WP			B	104189GE	4	4

102005-84

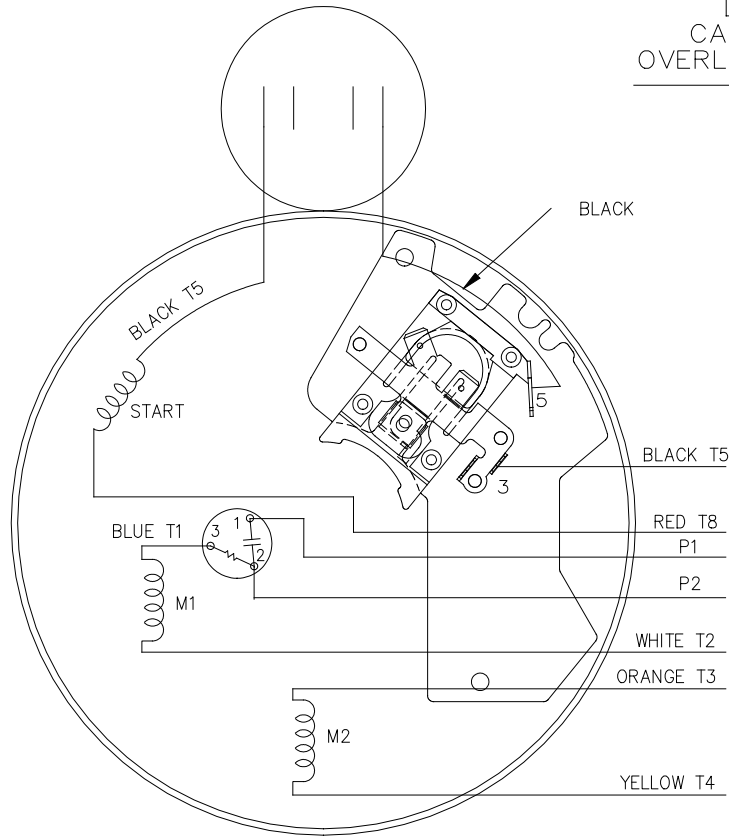
LOW VOLTAGE - C.C.W.



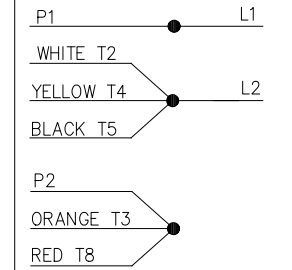
HIGH VOLTAGE - C.C.W.



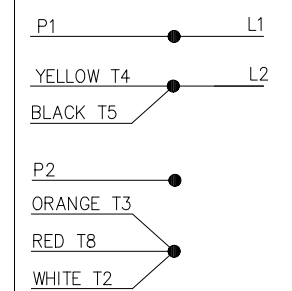
DUAL VOLTAGE  
CAPACITOR START  
OVERLOAD SELECT ROT.



LOW VOLT. - C.C.W. ROT.



HIGH VOLT. - C.C.W. ROT.



FOR C.W. ROTATION  
EITHER VOLTAGE  
INTERCHANGE RED(T8)  
WITH BLACK(T5) LEAD

NO.	REVISION	BY & DATE	CHK	ANG	TOLERANCES UNLESS SPECIFIED		REGAL™ Regal Beloit America, Inc.	DRAWN PGK 07-16-1996				
					DEC.	INCHES						
5	UPDATED TEMPLETE	MVG 12/11/2017	PVR	.X	±.1			CHK MRB 07-18-1996				
4	REV'D CONNECTION TO MATCH ROTATION ISAAC 07-2021	JJB 09/05/2007	ML	.XX	±.02		TITLE CONNECTION DIAGRAM	APPD GK 07-18-1996				
3	ADDED T NO.'S MU16064	MH 08-09-1997		.XXX	±.005			SCALE 5=8				
2	REDRAWN ON CADD, NO CHANGES	PGK 07-18-1996		.XXXX	±.0005		MAT'L.	REF				
				CHK	ANG	±7'30"	FINISH	PREV				
THIS DRAWING IN DESIGN AND DETAIL IS OUR PROPERTY AND MUST NOT BE USED EXCEPT IN CONNECTION WITH OUR WORK ALL RIGHTS OF DESIGN AND INVENTION ARE RESERVED THIS IS AN ELECTRONICALLY GENERATED DOCUMENT - DO NOT SCALE THIS PRINT							RFP	CAD FILE 102005_84	SIZE A	DRAWING NO. 102005-84	PAGE OF 5	REV. 5
							DIST WP					

**CERTIFICATION DATA SHEET**

**Model#:** 5KC49HN0719 D      **WINDING#:** ZC470 NONE 3  
**CONN. DIAGRAM:** A-102005-84-GE      **ASSEMBLY:** F1 ONLY  
**OUTLINE:** B-104189GE-631

**TYPICAL MOTOR PERFORMANCE DATA**

HP	KW	SYNC. RPM	F.L. RPM	FRAME	ENCLOSURE	KVA CODE	DESIGN
1/3	0.25	1500	1425	56	EPFC	K	NO DESIGN CODE

PH	Hz	VOLTS	FL AMPS	START TYPE	DUTY	INSL	S.F	AMB°C	ELEVATION
1	50	115/208-230	5.0/2.5-2.5	ACROSS THE LINE	CONTINUOUS	B3	1.0	40	3300

FULL LOAD EFF: 64.0	3/4 LOAD EFF: -	1/2 LOAD EFF: -	GTD. EFF	ELEC. TYPE	NO LOAD AMPS
			-	CAP START IND RUN	4.7 / 2.4

F.L. TORQUE	LOCKED ROTOR AMPS	L.R. TORQUE	B.D. TORQUE	F.L. RISE°C
19.2 LB-FT	14.7 / 7.3	60 LB-FT -	53.6 LB-FT -	-

SOUND PRESSURE @ 3 FT.	SOUND POWER	ROTOR WK^2	MAX. WK^2	SAFE STALL TIME	STARTS /HOUR	APPROX. MOTOR WGT
- dBA	- dBA	- LB-FT^2	- LB-FT^2	- SEC.	-	- LBS.

**\*\*\* SUPPLEMENTAL INFORMATION \*\*\***

DE BRACKET TYPE	ODE BRACKET TYPE	MOUNT TYPE	ORIENTATION	SEVERE DUTY	HAZARDOUS LOCATION	DRIP COVER	SCREENS	PAINT
STANDARD	STANDARD	RIGID	HORIZONTAL	FALSE	EXP PROOF CL I GR C&D CL II GR F&G T3B	PROVISIONS ONLY	NONE	GRAY - GE (POWDER)

BEARINGS		GREASE	SHAFT TYPE	SPECIAL DE	SPECIAL ODE	SHAFT MATERIAL	FRAME MATERIAL
DE	OPE						
BALL	BALL	POLYREX EM	T	NONE	NONE	1144 STRESSPROOF (C-223)	ROLLED STEEL
6203	6203						

THERMO-PROTECTORS				THERMISTORS	CONTROL	SPACE /n HEATERS
THERMOSTATS	PROTECTORS	WDG RTDs	BRG RTDs			
NONE	AUTOMATIC	NONE	NONE	NONE	FALSE	NONE VOLTS

If Inverter equals NONE, contact factory for further information

\*  
N  
O  
T  
E  
S  
\*

INVERTER TORQUE: NONE	INV. HP SPEED RANGE: NONE
ENCODER: NONE	NONE NONE
NONE NONE PPR	
BRAKE: NONE NONE	
NONE P/N NONE	
NONE NONE	
NONE FT-LB	NONE V NONE Hz





**MARATHON ELECTRIC CORPORATION**  
TYPICAL PERFORMANCE CURVE for AC MOTOR

Customer

Curve at

460

Volts

HP 0.33

PHASE 1

Model No 5KC49HN0719

50

HZ

VOLTS 115/208-230

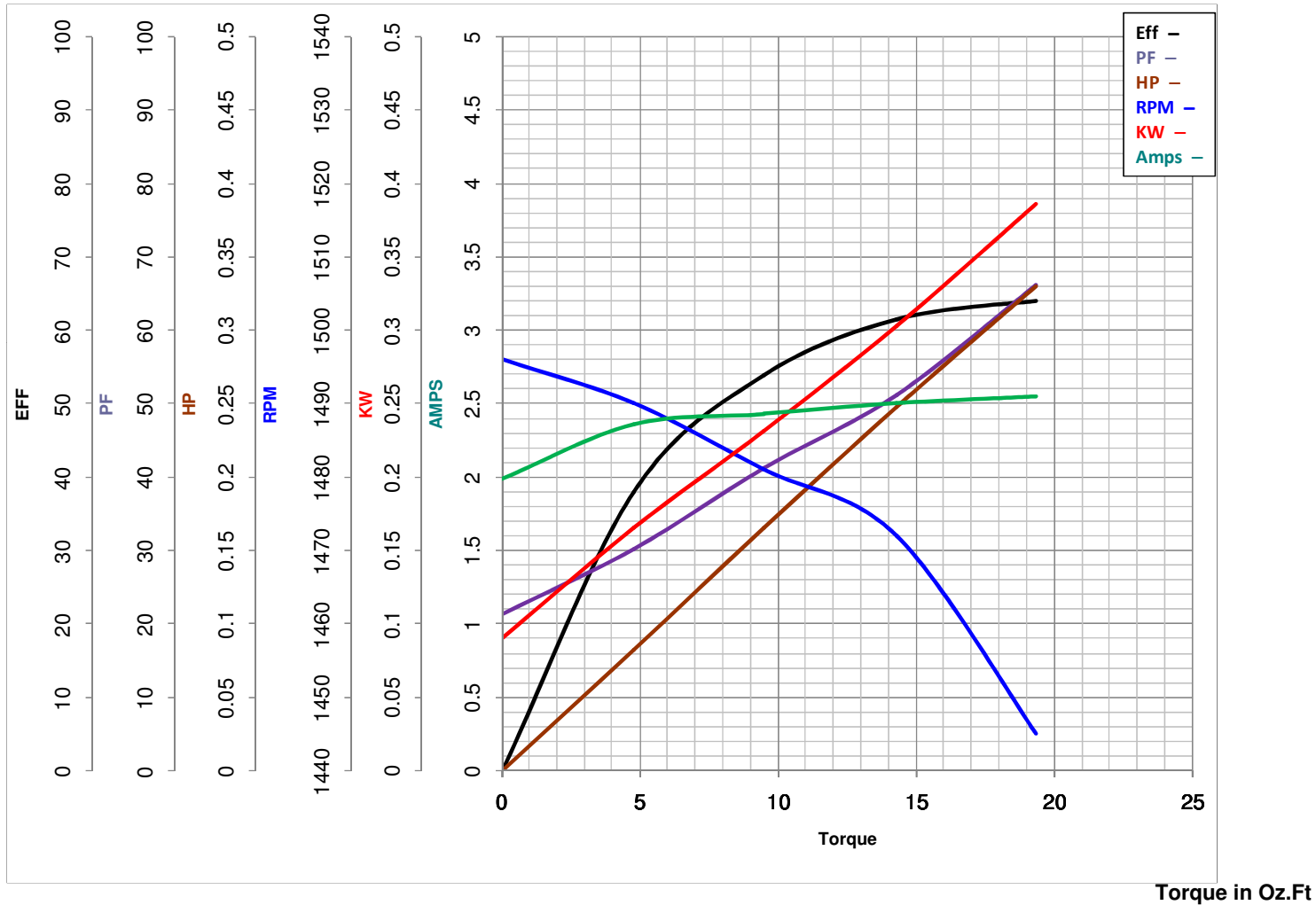
Catalog No C1803

0.33

HP

HZ 50

RPM 1425



<b>FL TORQUE</b>	<u>19.34</u>	Oz.Ft	<b>FL AMPS</b>	<u>6.54/3.41-3.26</u>
<b>BD TORQUE</b>	<u>53.6</u>	Oz.Ft	<b>PU TORQUE</b>	<u>51.9</u> Oz.Ft
<b>LR TORQUE</b>	<u>60</u>	Oz.Ft	<b>LR AMPS</b>	<u>7.34</u>
<b>WINDING</b>	ZC470-		<b>Date</b>	3/8/2019